



2005 - 2009 Mustang "Shaker"
CDC #110050 ('05/'06) or 0711-7000-01 ('07/'09)

WARNING: Shaker Trim Ring does NOT cover the factory Hood Scoop holes on '07+ factory Hood Scoops!!!

Component Check List:

| <u>Quantity/Description</u> | <u>Part #</u> | <u>CDC</u> | <u>Installer</u> |
|-----------------------------------|---------------------|--------------------------|--------------------------|
| 1 - Engine Cover Assembly | 114050 | <input type="checkbox"/> | <input type="checkbox"/> |
| • 1 - Aluminum Shaker Scoop | 183020 | <input type="checkbox"/> | |
| • 1 - Engine Cover | 115052 | <input type="checkbox"/> | |
| • 1 - Upper Air Tube | 115054a | <input type="checkbox"/> | |
| • 7- M6-1.0 x 10mm Hex Head Bolts | 183003 | <input type="checkbox"/> | |
| • 4 - Fender Washers 1/4" x 1" | 116051 | <input type="checkbox"/> | |
| • 2 - Channel Washers | 116052 | <input type="checkbox"/> | |
| • 4 - M6-1.0 Nuts w/ Loose Washer | 183034 | <input type="checkbox"/> | |
| • 4 - M6-1.0 x 22mm Bolts | 410109 | <input type="checkbox"/> | |
| • 1 - Ball Stud | 116050 | <input type="checkbox"/> | |
| • 2 - Sill Plates | 1095-5000-01 | <input type="checkbox"/> | |
| • 1 - M6 Washer | 183005 | <input type="checkbox"/> | |
| • 1 - Throttle Body Bracket | 116056 | <input type="checkbox"/> | |
| • 1 - Shaker Badge | 183012 | <input type="checkbox"/> | |
| • 4 - Rivets | 183011 | <input type="checkbox"/> | |
| 1 - Upper Trim Ring | 115051 | <input type="checkbox"/> | <input type="checkbox"/> |
| 1 - Lower Trim Ring | 115050 | <input type="checkbox"/> | <input type="checkbox"/> |
| 1 - V8 Shaker Hardware Kit | 0511-6508-01 | <input type="checkbox"/> | <input type="checkbox"/> |
| • 4 - 1/2" x 18" Drain Tubes | 115058 | <input type="checkbox"/> | <input type="checkbox"/> |
| • 1 - Lower Air Tube | 115053a | <input type="checkbox"/> | <input type="checkbox"/> |
| • 1 - 3" Coupler w/ Clamps | 115056 | <input type="checkbox"/> | <input type="checkbox"/> |
| • 1 - Ball Stud Bracket w/ socket | 116055 | <input type="checkbox"/> | <input type="checkbox"/> |
| • 1 - "U" Clamp w/ set screw | 116054 | <input type="checkbox"/> | <input type="checkbox"/> |
| • 4 - Zip Ties | 116053 | <input type="checkbox"/> | <input type="checkbox"/> |
| • 4 - Rivets | 75004 | <input type="checkbox"/> | <input type="checkbox"/> |
| • 1 - Roll 1/4"x70" 3m Tape | 950015 | <input type="checkbox"/> | <input type="checkbox"/> |
| • 2 - Alcohol Packs | 950006 | <input type="checkbox"/> | <input type="checkbox"/> |
| • 1 - Adhesion Promoter Pack | 950007 | <input type="checkbox"/> | <input type="checkbox"/> |
| • 1 - Air Filter Housing Template | | <input type="checkbox"/> | <input type="checkbox"/> |
| • 1 - Hood Template | | <input type="checkbox"/> | <input type="checkbox"/> |
| • 1 - Installation Guide | | <input type="checkbox"/> | <input type="checkbox"/> |



'05-'09 Mustang "Shaker" System Instructions

Note: Read installation instructions before starting and test fit component before painting. The Shaker Hood Trim Ring is molded UV Stable ABS Plastic and does not require paint. If you chose to paint the Shaker Hood Trim Ring, have your Trim Ring painted by a professional automotive painting facility to ensure the quality of your vehicle and the product. We recommend that paint-curing temperature not exceed 180°F.

Tool List For Trim Ring:

- Template
- Masking Tape
- Center Punch
- 1/8" Pilot Drill Bit
- 1" Hole Saw
- Drill Motor
- Saw with metal blade (for cutting hood)
- Utility Knife (for cutting hood blanket)
- Razor Blade
- Eye Protection
- Rivet Gun
- 120 grit sand paper

Tool List For Shaker Assembly & Install:

- 10mm Socket 1/4" Drive
- 8mm Socket 1/4" Drive
- 1/4" Drive 6" extension
- 1/4" Drive Ratchet
- Drill Motor
- 1/8" Pilot Drill
- 2 3/4" Hole Saw
- Thread locker
- Rivet Gun
- Half Round File
- 3mm Allen Wrench

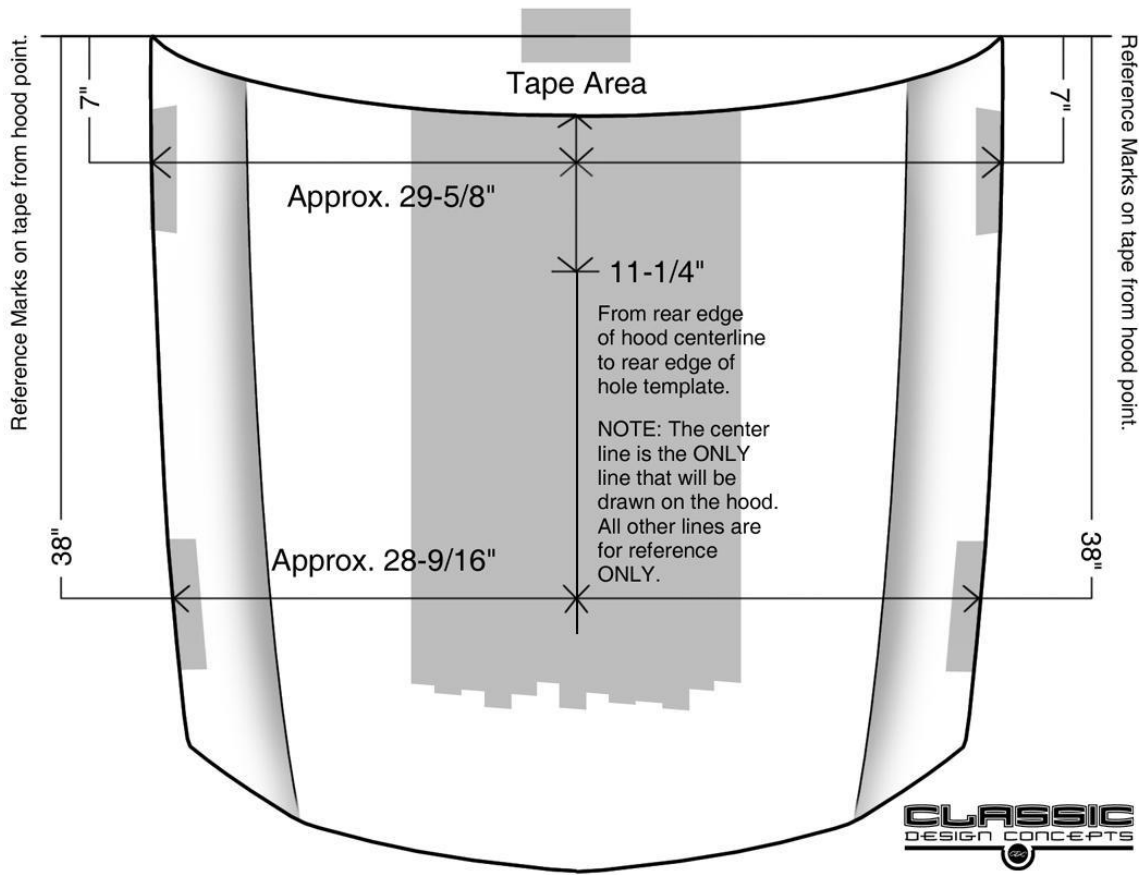
CD4II3AJ

Cutting Hood:

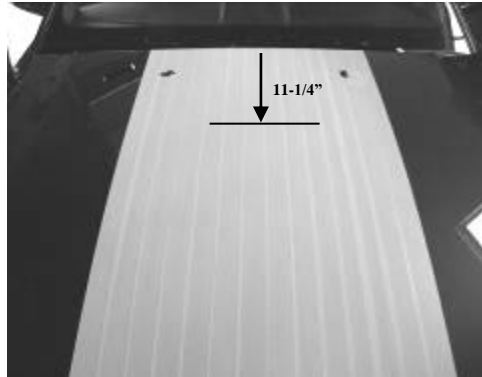
- A) Raise Hood and remove under hood blanket. Use a fork tool to remove pushpin fasteners. Set hood blanket aside. Close hood and mask off entire area where Shaker opening will be cut out to help prevent paint damage during the cutting process. Place tape along edges of hood as well for measurement marks (refer to hood drawing below).



- B) Measure and mark centerline on the hood. From the rear corners of the hood, along the hood/fender gap, measure toward the front of the car and place a mark at 7" and 38" along both driver and passenger side of the hood. Next, at these marks, measure from the outside of the hood towards the center to mark the centerline. **Hint:** From the 7" mark, it is *approximately* 29-5/8" to the center. From the 38" mark, it is *approximately* 28-9/16" to the center. These measurements are intended as reference only. **Note: Double Check Your Measurements, It is very important that the centerline of hood is measured accurately.** Now that you are confident of your measurements, use a straight edge to draw the centerline on the hood.



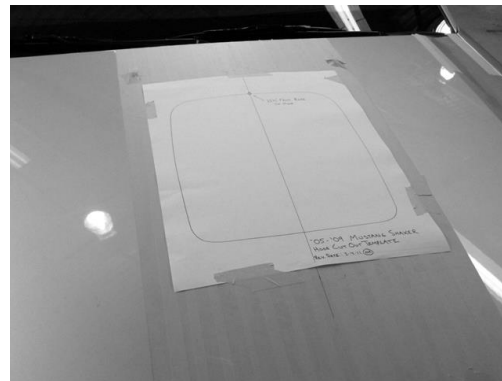
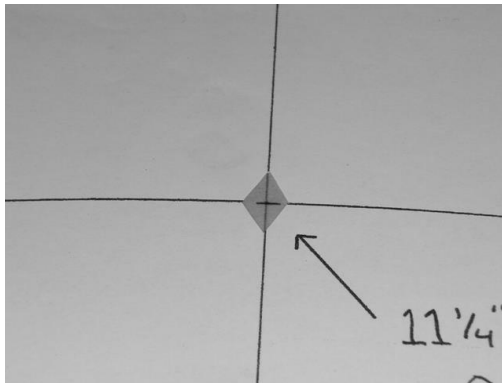
- C) Measure and mark 11-1/4" from rear of the hood on the centerline. This will line up with the rear line on the shaker cutout template.



Note:

It is very important that the centerline of hood is measured accurately. Make sure to line up centerline of template to centerline drawn on hood. The best way to achieve this is to cut a hole along the centerline at the rear of the shaker hole outline on the template, so the marks you've drawn on the tape show through. (See Below)

- D) Align template on hood with 11-1/4" mark at rear of template, and align centerlines of template with the ones drawn on the hood. Tape template securely to top of hood.



- E) With a sharp razor blade or x-acto knife cut through template, through the tape, and into the paint of your hood along the cut-out line. Cutting/scoring the paint on the hood will reduce the chance of paint flake during the cutting process.



- F) Remove template from hood and discard. Peel tape from center of Shaker opening, leaving an outline of Shaker opening. **CAUTION:** Add a second layer of tape around opening to reduce the risk of shavings scratching the hood.

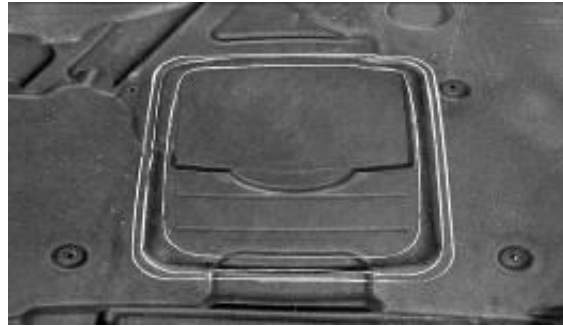
Note: During the drilling and cutting process, elevate the hood far enough to ensure no damage will occur to engine components; a 4"x4" block of wood will suffice. Place a blanket over engine to catch metal shavings.



- G) Center punch and drill a starter hole in the Shaker opening large enough to accommodate your saw's blade.
- H) Cut Shaker opening following the outline. Be patient and pay attention to your blade; if it appears to be getting clogged, stop cutting and replace blade. **Hint: Stop cutting half way around opening and place masking tape over cut line for support, or place paint stirring sticks under the corners. This will support the center cut-out panel and prevent it from pinching the saw blade.**
- I) Remove tape from hood. Clean area of hood around the cut opening with Isopropyl (rubbing) Alcohol where Upper Trim Ring will be placed. **It is imperative that any wax be removed from the vehicle at the tape contact area for proper adhesion of Trim Ring.**
- J) Raise and prop hood.
- K) Temporarily reinstall hood blanket to bottom of hood using original fasteners. Temporarily place (DO NOT TAPE) Upper Hood Trim Ring onto hood and trace inside of Upper Trim Ring on to the hood blanket. Remove Trim Ring and hood blanket. Set Trim Ring aside until later and set hood blanket on bench. (A white grease pencil works best.)



- L) With the hood blanket on the bench, line up the Lower Trim Ring (part # 115050) with the line traced from the upper. Now trace the outside of the Lower Trim Ring onto the hood blanket. **Note:** Trim Ring will follow contour of the hood blanket when properly positioned, the hump is toward the rear. Remove Lower Trim Ring and measure 1/2" from the outer line toward the center of the hood blanket and mark one more line, this is the line you will cut using a sharp blade.
- M) Cut opening in Hood Blanket.



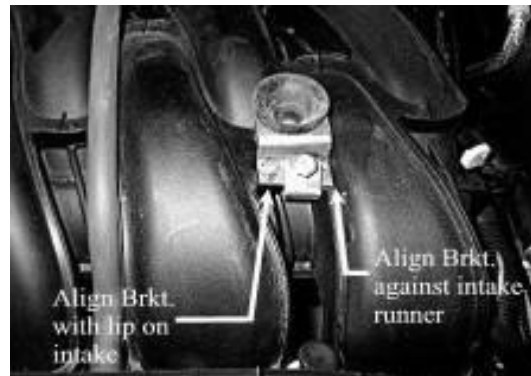
N) Reinstall hood blanket with factory retainers.

Installing Shaker:

A) Remove filter housing from vehicle. Unplug Mass Airflow Sensor at this time.



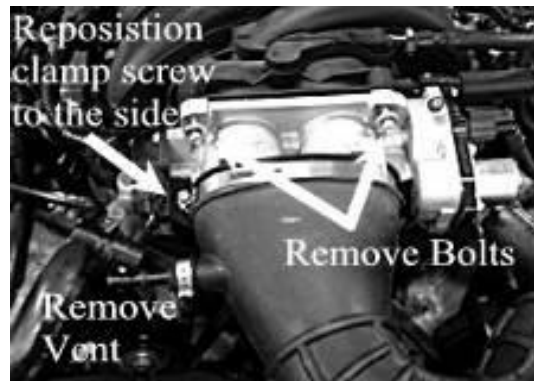
- B) Slightly bend the oil dipstick tube toward the driver side wheel to create clearance for the engine cover.
- C) Mount the Ball Stud Socket Bracket with Socket (part # 116055) to the intake manifold with the U-Clamp (part # 116054). Use Thread Locker on the setscrew. Align the edges of the Socket Bracket as show in Figures below.



Note: For optimal fitment of “U” clamp, depending on the build date of your vehicle, some cars require trimming of the lip from the bottom side of the intake manifold with a razor blade, this will allow the clamp to fit flat against the manifold.

D) Relocate the screw location of the factory air inlet clamp at the throttle body. Loosen the clamp screw and cut off the rubber knobs on the air inlet tube (top and bottom of tube), allowing the clamp to rotate counter clockwise. **Rotating this clamp allows clearance needed for the engine cover.**

CD4II3AJ

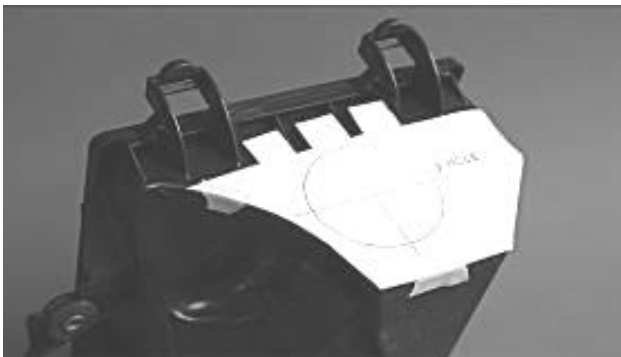


- E) Remove the two upper bolts securing the throttle body to the intake manifold and unplug vent tube from the air inlet.
- F) Attach the 4 Drain tubes (part# 183027) to the engine cover and secure them with the supplied Zip Ties (Part# 116053).
- G) Install the Engine Cover Assembly onto the intake manifold. **IMPORTANT: Route drain tubes away from moving parts and hot surfaces!** Place the Ball Stud mounted to bottom of the Engine Cover, into the Ball Stud Socket. Run the factory throttle body bolts through the front Engine Cover Bracket, through throttle body and into their factory locations; torque to **89 lb-in**. Route the vent tube through passenger side hole on the front of Engine Cover and plug into its factory position on the air inlet tube. Route the Mass Air Flow Sensor connector through the hole on driver side cover.



Cut hole in air box:

- A) Using the Air Box Template, mark and cut the hole in the lower air box.
- B) Snap Lower Air Tube (part #115053) into air box.



Caution: It is very important that the hole in the air box is precisely cut to 3". We recommend using a 2 3/4" hole saw, then file by hand to achieve proper diameter.

CD4II3AJ

- C) Re-install Factory Air Filter into factory air box.
- D) Reinstall air filter housing top onto factory air box and snap locking tabs into place.
- E) Reinstall air filter housing into vehicle.
- F) Reconnect Mass Air Flow connector to sensor and factory air inlet to air filter housing.
- G) Place the 3" Coupler with clamps (part #115056) onto Upper Air Tube (part #115054).

NOTE: Remove the inner spacer from the 3" Coupler BEFORE installation; it is not needed in this application.

- H) Slide Coupler half way over Lower Air Tube (part #115053), and tighten clamps.



- I) Verify Drain Tubes (part #115058) are routed and away from moving parts and hot surfaces.

Installing the trim ring:

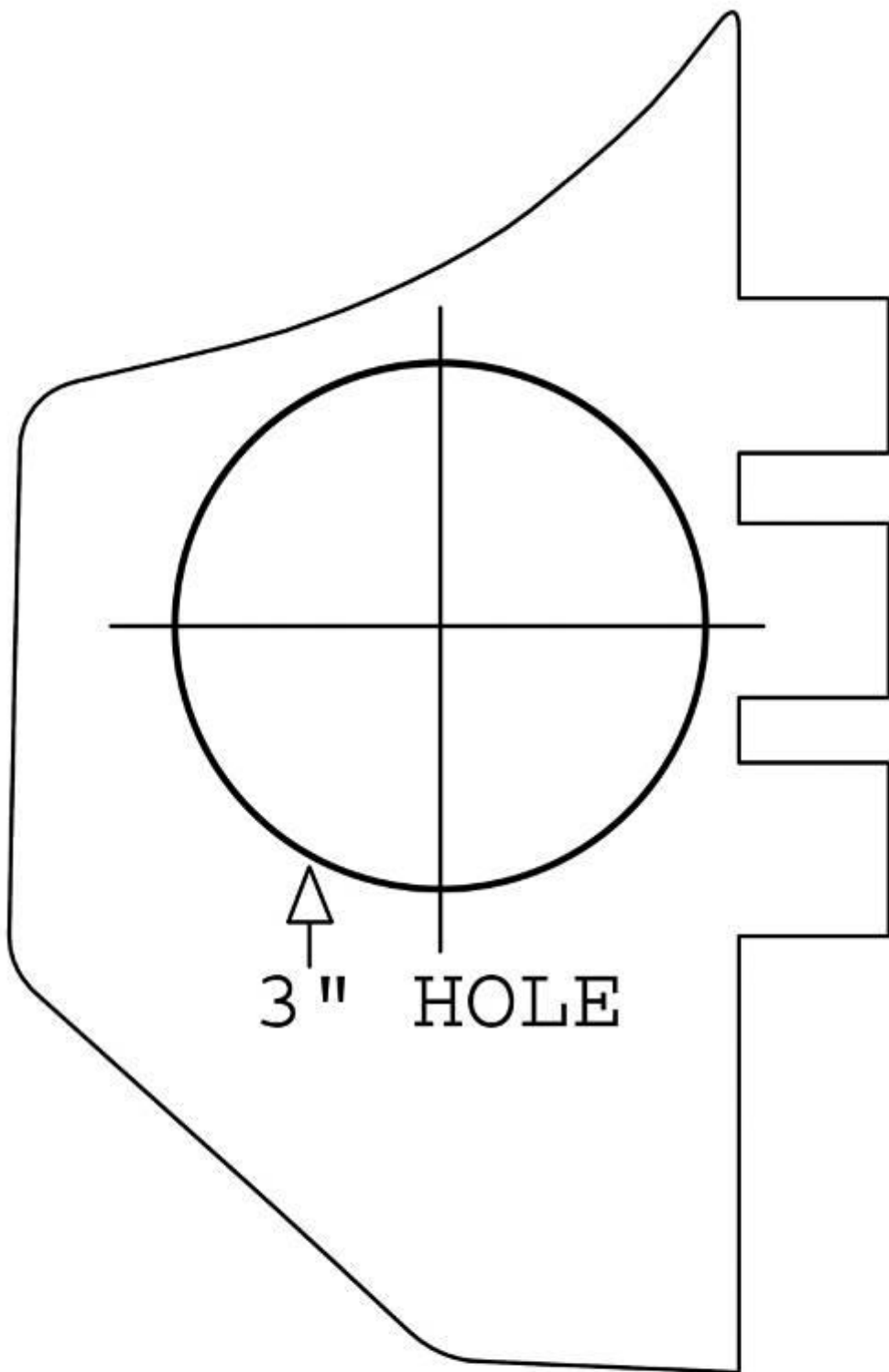
- A) Apply 3m Acrylic Bonding tape (part #950011) to bottom side of Upper Trim Ring. Sand area with 80-120 grit sand paper, clean with supplied Alcohol pack and allow time to dry, apply supplied Adhesion Promoter and allow time to dry, apply 3m tape. Press on tape with fingertips to set tape.
- B) Peel 3"-4" of the red backing from the Upper Trim Ring (part # 115051) and place in hood opening. Make sure to have the trim ring facing the correct way, the **notches in the part face the rear of the hood** on both upper and lower Trim Rings.



- C) Line up trim ring with the shaker hood scoop. When proper placement is achieved, finish peeling the red backing from acrylic bonding tape and press on trim ring to set tape to hood.
- D) Install the Lower Trim Ring onto the Upper Ring flange, squeeze until trim rings snap together. The Lower Trim Ring will hold the hood blanket in place around the opening.
- E) There are two 3/32" holes that are predrilled in the front and rear of the Upper and Lower Trim Rings (4 total). Use #75004 rivets to secure the Upper and Lower Trim Rings together.

Congratulations your installation is complete!

Thank you for choosing Classic Design Concepts for your restyling needs. If you have any questions or concerns regarding installation please contact Tech@CDCdetroit.com or call 866-624-7997.



05-09 Mustang
Shaker
Air Box Cut Out
6-8-05
CD4113AJ